

---

# PROLINK

## Hurricane 9000P

4-port ADSL Modem/Router

---

### User's Manual

Version 1.0



---

# Contents

<b>Section One: Introduction</b> .....	4
1.1 System Requirements.....	4
1.2 Features Summary .....	4
<b>Section Two: Connect the Modem/Router</b> .....	6
2.1 This Package Contents.....	6
2.2 Product View.....	7
2.3 Hardware Installation.....	8
2.4 Network Connections .....	9
2.5 LED Indicators .....	9
<b>Section Three: Configure the PCs</b> .....	10
3.1 Configure your PC .....	10
3.2 Verify the link between your PC and Router .....	11
<b>Section Four: Web-Based Management</b> .....	12
4.1 Login .....	12
4.2 Quick Setup .....	13
4.3 ADSL Line Status .....	15
4.4 WAN/LAN Status .....	15
4.5 PPP Status .....	16
4.6 System Log .....	16
4.7 Advanced Setup .....	17
4.7.1 LAN/DHCP .....	17
4.7.2 Port Forwarding .....	18
4.7.3 NAT Configuration .....	19
4.7.4 Bridge Filtering .....	20
4.7.5 Misc Configuration .....	21
4.7.6 Route Table .....	23
4.7.7 Admin Password .....	23
4.7.8 Firmware Update .....	24
<b>Section Five: USB Driver Installation</b> .....	25
<b>Section Six: Troubleshooting and FAQs</b> .....	26
<b>Prolink Technical Support</b> .....	30

---

The information contained in this manual has been verified at the time of this manual's printing. The manufacturer reserves the right to make any changes and improvements in the product described in this manual at any time and without notice.

All registered trademarks are the property of their respective owners.

Copyright © 2002 All rights reserved. No reproduction of this document in any form is permitted without prior written authorization from the manufacturer.

## Section One - Introduction

---

The Hurricane 9000P provides Full rate (ANSI and G.DMT) as well as G.lite ADSL standards line support, and can be connected to PC through Ethernet or USB. This product supports bridge feature set for the integration of ADSL service into corporate or home LAN and WAN.

---

### 1.1 System Requirements

Before connecting the Hurricane 9000P to your PC, make sure your system is equipped with the Ethernet NIC card or USB port and TCP/IP protocol.

---

### 1.2 Features Summary

#### ADSL Compliance

Compliant with ADSL standards:

- ANSI T1.413 Issue 2, ITU G.dmt (G.992.1) and G.lite (G.992.2).
- ADSL over POTS (Annex A) and ADSL over ISDN (Annex B)
- DMT modulation and demodulation
- Full-rate adaptive modem
- Maximum downstream rate of 8 Mbps
- Maximum upstream rate of 1 Mbps
- Tone detection for low power mode
- Supports splitterless ADSL implementation
- Supports Dying Gasp (optional)

#### ATM Protocols

- WAN mode support: PPP over ATM and over Ethernet. (RFC 2364/2516)
- LAN mode support: bridged/routed Ethernet over ATM (RFC 1483) and Classical IP over ATM (RFC 1577)
- ATM Forum UNI 3.1/4.0 PVC
- Up to 8 VCs (Virtual Circuits)
- ATM SAR (Segmentation and Reassembly)
- ATM AAL5 (Adaption Layer type 5)
- OAM F4/F5

## **Bridge Mode**

Ethernet to ADSL self-learning Transparent Bridging (IEEE 802.1D)  
Supports up to 128 MAC learning addresses

## **Router Mode**

IP routing  
RIPv2

Static routing

DHCP (Dynamic Host Configuration Protocol) Server and Client

NAPT (Network Address and Port Translation)

NAT (Network Address Translation)

ICMP (Internet Control Message Protocol)

Simultaneous USB and Ethernet operation

## **Security**

User authentication for PPP

PAP (Password Authentication Protocol)

CHAP (Challenge Authentication Protocol)

Password protected system management

## **Ethernet interface**

Compliant with IEEE 802.3 standard

10/100 Mbps auto selection

4 x LAN ports (Cable Type Auto-detecting)

## **USB host interface**

Compliant with USB Specification, Revision 1.1

USB full speed (12 Mbps)

Vendor specific descriptors

## **HTTP Web-based management**

Firmware upgrade via FTP

Customizable Web pages

WAN and LAN side connection statistics

Configuration of static routes and Routing table

Configuration of NAT/NAPT

Password protected access

Selection of Bridge or Router Mode

PPP user ID and password

Configuration of VCs (Virtual Circuits)

## Section Two - Connect the Modem/Router

---

### 2.1 This Package contents

1. One ADSL Router modem
2. One RJ-45 straight cable
3. One RJ-11 telephone cable
4. One USB cable
5. 12V Power Adaptor
6. User's Manual & CD

*For any missing items, Please contact your dealer immediately.*

1.



5



2



3



6



4



## 2.2 Product View



**LAN1-LAN4 LED**

**LINK LED**

**POWER LED**



**Power Switch**

**Power Connector**

**RJ45 LAN Jack**

**RJ11 Line Jack**

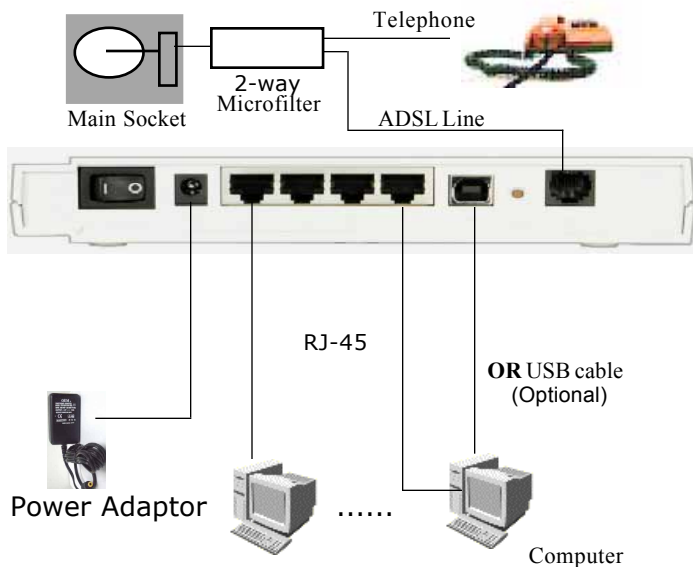
**Reset Button  
(Set to factory Default)**

**USB Connector**

## 2.3 Hardware Installation

The following steps instruct you to install the Hurricane 9000P for One computer. For more than one computer, please refer to 2.4 Network Connection.

1. Plug the end of the Ethernet cable into the LAN Jack of the Hurricane 9000P.
2. Plug the other end of the Ethernet cable into your computer's RJ45 Jack of Ethernet card.
3. Connect the Power adaptor to the Power Connector.
4. Plug the telephone cable into the Line Jack .
5. Plug the other end of the telephone cable into
  - i) a Main Socket .
  - ii) **OR** the Jack of the two-way Microfilter labeled **DSL**.



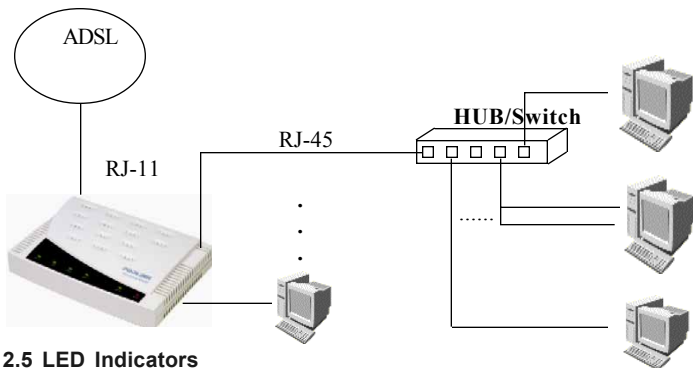


## 2.4 Network Connections

### 2.4.1 for Four PCs



### 2.4.2 for more than Four PCs



## 2.5 LED Indicators

The ADSL Router modem features LED indicators on the front panel that report modem status:

POWER	<b>Red</b>	Power Light / Steady when power is on.
ADSL	<b>Green</b>	WAN Link / Steady during ADSL line status is showtime.
LAN1	<b>Green</b>	Port1 Link / Blinking during LAN Activity.
LAN2	<b>Green</b>	Port2 Link / Blinking during LAN Activity.
LAN3	<b>Green</b>	Port3 Link / Blinking during LAN Activity.
LAN4	<b>Green</b>	Port4 Link / Blinking during LAN Activity.

## Section Three - Configure the PCs

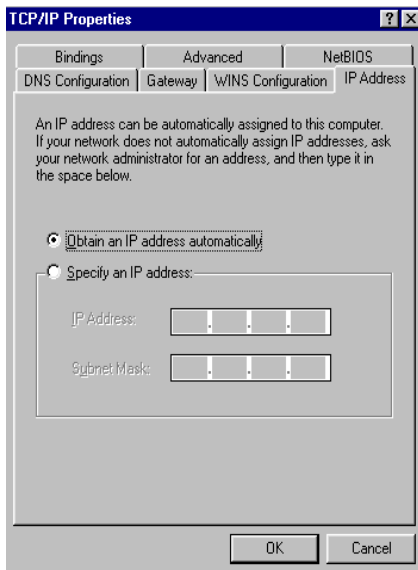
### 3.1 Configure your PC.

The instructions in this section will help you to configure each computer to communicate with the Router.

To do this, you need to configure your PC's network settings to obtain an IP address automatically from the DHCP of the router. Computers use IP addresses to communicate with each other across a network, such as the Internet.

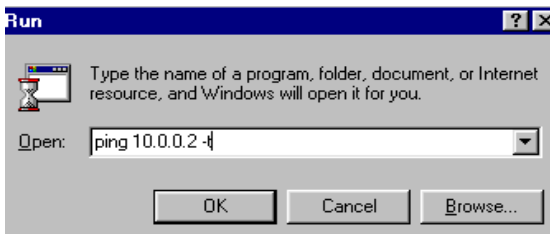
1. Go to the Network screen by clicking the **Start** button. Click **Settings** and then **Control Panel**. From there, double-click the **Network** icon.
2. On the Configuration tab, select the TCP/IP line for the applicable Ethernet adapter. Then, click the Properties button.
3. Click the **IP Address** tab. Select **Obtain an IP address automatically**.

4. Click the **Gateway** tab, and verify that the Installed Gateway field is blank. Click the OK button.
5. Click the **OK** button again. Click the Yes button to restart your computer.



### 3.2 Verify the link between your PC and Router

- From start > Run
- Enter ping 10.0.0.2 -t and click OK
- If the connection has been established, You will receive reply from the router.
- If you receive "Request timed out", that means the link has not been established, pls. check the network cable and IP address. (or try to restart your PC)



#### Notes:

- Under MS-DOS mode, you can type **ipconfig** to check your IP address. (to renew IP: ipconfig /renew )
- You may have to disable the proxy settings on your Internet browser .  
Tools>Internet Options>Connection>LAN settings>Disable Proxy Server
- Make sure that your browser is set to connect directly .

For Internet Explorer, click **Tools, Internet Options**, and then the **Connection** tab. Make sure that Internet Explorer is set to **Never dial a connection**.

For Netscape Navigator, click **Edit, Preferences, Advanced**, and **Proxy**. Make sure that Netscape Navigator is set to **Direct connection to the Internet**.

---

---

## Section Four Web-Based Management

### 4.1. Login

- 1) Open Internet Explorer /Netscape , type <http://10.0.0.2>
- 2) The system will ask for administrator's username and password when restarting or configuring. It is illustrated in the following figure.

Default username: **admin**  
password: **password**



A screenshot of a login dialog box with a light gray background. At the top, the text "Realm: Home Gateway" is displayed. Below this, there are two input fields: "User Name" containing the text "admin" and "Password" which is currently obscured by a blue rectangular box. Underneath the password field, there is a checked checkbox followed by the text "Save this password in your password list". At the bottom right of the dialog, there are two buttons: "OK" and "Cancel".

## 4.2 Quick Setup

Quick Setup page allows user to set the configuration for the WAN/ADSL ports.

The screenshot shows a web browser window with the address bar displaying 'http://10.0.0.2/'. The page title is 'PROLINK'. On the left is a blue navigation menu with links: Quick Setup, ADSL Line Status, WAN/LAN Status, PPP Status, System Log, Advanced Setup (highlighted), LAN/DHCP, Port Forwarding, NAT Configuration, Bridge Filtering, Misc Configuration, Route Table, Admin Password, and Firmware Update. The main content area is titled 'Quick Setup' and contains the following fields and options:

- VPI:  (VPI/VCI=Singapore 0/100; Malaysia 0/35; Indonesia 1/33; SriLanKa 8/35)
- VCI:
- Username:  (e.g. james@singnet)
- Password:
- ENCAPSULATION:  (dropdown menu)
- BRIDGE:  (dropdown menu) (Enable it if using as Bridge/Modem mode)

Below these fields is a section titled 'Static WAN IP Configuration (Optional)' containing a table:

Static IP Address	Subnet Mask	Gateway
<input type="text" value="0.0.0.0"/>	<input type="text" value="0.0.0.0"/>	<input type="text" value="0.0.0.0"/>

Below the table are the following options:

- Disconnect Timeout:  seconds (Max:32767)
- Automatic Reconnect [Advanced PPP configuration](#)

At the bottom of the form are two buttons: 'Submit' and 'Reset'.

**VPI/VCI:** ATM VC of local ADSL Internet Service Provider.

(e.g. Singapore: VPI/VCI=0/100; Malaysia: VPI/VCI=0/35; Indonesia: VPI/VCI=1/33; SriLanKa: VPI/VCI=8/35)

**Username and Password:** the user name and password will be provided by your ISP when applying for PPP ADSL service.

**Encapsulation:** PPPoA, PPPoE, 1483 router, IPoA and 1483 Bridge. Please select one according to your local ISP designation.

(e.g. **Singapore/Indonesia:** PPPoA VCMUX; **Malaysia:** PPPoE LLC)

**Bridge:** Disable. (default)

Enable it if selecting 1483 Bridge mode.

## Static WAN IP Configuration (Optional)

If you are using 1483 Routed IP or Classical IP over ATM, please enter the IP address, Subnet Mask and Gateway (Provided by your local ISP)

**Disconnect Timeout:** The Disconnect Timeout allows users to set the specific period of time to disconnect from the ISP. The default is 0, which means never disconnect from the ISP.

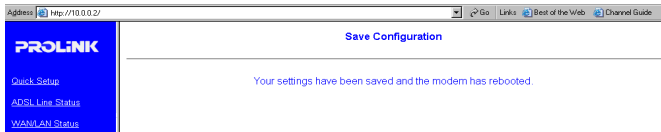
**Q: If the PPP is disconnected after the Disconnect Timeout and how can I reconnect it.**

A: You have to go to the PPP Status under Admin Privileged column, choose the correct PVC and Connect option, and then click Execute to restart a new PPP session.

B. **OR** you can enable **PPP reconnect on WAN access** under Misc Configuration, the PPP will be automatically reconnected when an URL is entered in the browser (packet interested in going out to the WAN).

**Automatic Reconnect:** When it is checked, it will maintain the PPP connection all the time. If the ISP shut down the PPP connection, it will automatically reconnect PPP session.

**Please remember to click on "Submit" Button to reboot and take effect.**



### 4.3 ADSL Line Status.

The **ADSL Line Status** page shows the ADSL physical layer status.

Address <http://10.0.0.2/> Go Links Best of

**PROLINK**

[Quick Setup](#)

[ADSL Line Status](#)

[WAN/LAN Status](#)

[PPP Status](#)

[System Log](#)

**Advanced Setup**

[LAN/DHCP](#)

[Port Forwarding](#)

[NAT Configuration](#)

[Bridge Filtering](#)

[Misc Configuration](#)

[Route Table](#)

[Admin Password](#)

[Firmware Update](#)

**ADSL Line Status**

---

Line State: **SHOWTIME**  
 Modulation: **G.dmt**  
 Annex Mode: **ANNEX\_A**  
 Startup Attempts: **1**  
 Max Tx Power: **-38 dBm/Hz**  
 CO Vendor: **ALCATEL\_NETWORK**  
 Elapsed Time: **0 days 0 hours 1 minutes 24 seconds**

	Downstream	Upstream	
SNR Margin	22.1	22.0	dB
Line Attenuation	58.7	31.5	dB
Errored Seconds	0	0	
Loss of Signal	0	0	
Loss of Frame	0	0	
CRC Errors	0	0	
Data Rate	1536	448	kbps
Latency	INTERLEAVED	INTERLEAVED	

### 4.4 WAN/LAN Status.

The **WAN/LAN Status** page shows the WAN , LAN interface status.

Address <http://10.0.0.2/> Go Links Best of

**PROLINK**

[Quick Setup](#)

[ADSL Line Status](#)

[WAN/LAN Status](#)

[PPP Status](#)

[System Log](#)

**Advanced Setup**

[LAN/DHCP](#)

[Port Forwarding](#)

[NAT Configuration](#)

[Bridge Filtering](#)

[Misc Configuration](#)

[Route Table](#)

[Admin Password](#)

[Firmware Update](#)

**ADSL Line Status**

---

**WAN**

IP Address	Subnet Mask	MAC Address
202.166.108.99	255.255.255.0	00:30:CD:00:07:F5

**LAN**

IP Address	Subnet Mask	MAC Address
10.0.0.2	255.0.0.0	00:30:CD:00:07:F4

Total Number of Lan Interfaces: 1  
 Number of ethernet devices connected to the DHCP server: 0

## 4.5 PPP Status.

The **PPP Status** page shows the status of PPP for each PVC Connect and Disconnect allows users to manually **connect/disconnect** the PPP connection for one PVC.

Address <http://10.0.0.2/> Go Links [Best of the Web](#) [Channel Guide](#)

**PROLINK**

Quick Setup  
ADSL Line Status  
WAN/LAN Status  
PPP Status  
System Log  
Advanced Setup

PPP Status

#	Connection Name	Interface	Mode	Status	Pkts Sent	Pkts Rcvd	Bytes Sent	Bytes Rcvd
1	simple ppp session 0	Pvc 0	PPPoA	Connected	15	11	360	385

## 4.6 System Log.

The System Log page shows the events triggered by the system.

Address <http://10.0.0.2/> Go Links [Best of the Web](#) [Channel Guide](#)

**PROLINK**

Quick Setup  
ADSL Line Status  
WAN/LAN Status  
PPP Status  
System Log  
Advanced Setup  
LAN/DHCP

System Log

```

1/1/1970 0:0:26> PPP1 Session is up.
1/1/1970 0:0:26> No Static Session Information is defined.
1/1/1970 0:0:26> Initialized Dynamic NAT.
1/1/1970 0:0:26> NAT/NAPT Session Start: interface ppp1.
WAN IP is 202.166.108.99
1/1/1970 0:0:26> PPP1: DNS Secondary IP address is
165.21.100.88
1/1/1970 0:0:26> PPP1: DNS Primary IP address is
202.166.127.238
  
```

If you would like to save the log to a text file, right click [here](#) and select "Save Target As ..."



## 4.7 Advanced Setup.

### 4.7.1 LAN/DHCP.

The LAN/DHCP page allows user to set the configuration for the LAN port.

Address <http://10.0.0.2/> Go Links Best of the Web Channel Guide

**PROLINK**

Quick Setup  
ADSL Line Status  
WAN/LAN Status  
PPP Status  
System Log  
**Advanced Setup**  
LAN/DHCP  
Port Forwarding  
NAT Configuration  
Bridge Filtering  
Misc. Configuration  
Route Table  
Admin Password  
Firmware Update

IP Address   
Subnet Mask

---

**DHCP Server**

DHCP address pool selection  System Allocated  
 User Defined

User Defined Start Address   
User Defined End Address

---

DHCP gateway selection  Automatic  
 User Defined

User Defined Gateway Address

---

Lease Time  days  hours  minutes  seconds  
User Mode

[Ethernet Mode Setting](#)

The router needs to be rebooted for changes to take effect. [\[Click here to Reboot!\]](#)

**IP Address/Subnet:** LAN address and subnet mask of the router. It can be specified if you need. (e.g. 192.168.0.1/255.255.255.0)

### DHCP Server

**System Allocated:** The DHCP address pool is based on LAN port IP address plus 12 IP addresses. For example, the LAN IP address is 10.0.0.2; the DHCP address pool is at the range of 10.0.0.3 to 10.0.0.14

**User Defined:** The DHCP address pool is at the range of User Defined Start Address and User Defined End Address Address. The maximum pool size can be 253 IP addresses: 255 total IP addresses - 1 broadcast address - 1 LAN port IP address.

**Lease time:** The Lease time is the amount of time of a network user will be allowed to connect with DHCP server. If all fields are 0, the allocated IP addresses will be effective forever.

**User mode:** Under the Single User mode, the DHCP server only allocates one IP address to local PC. Under the Multiple User mode, the DHCP server allocates the IP addresses specified by the DHCP address pool.

## 4.7.2 Port Forwarding

The **Port Forwarding** page allows users to set the configuration of Virtual Server. If any specific local PCs need to be mapped to the UDP/TCP port on WAN side, please input the mappings here.

Address  Go Links Best of the Web

**PROLINK**

Quick Setup  
ADSL Line Status  
WAN/LAN Status  
PPP Status  
System Log  
**Advanced Setup**  
LAN/DHCP

Port Forwarding Configuration

ID	Public Port	Private Port	Port Type	Host IP Address
1	<input type="text"/>	<input type="text"/>	<input checked="" type="radio"/> TCP <input type="radio"/> UDP	<input type="text"/>

Add This Setting

The router needs to be rebooted for changes to take effect. [\[Click here to Reboot\]](#)

Number of Virtual Servers 0

### For Example,

If you want to forward FTP to your 10.0.0.20 server (set to static IP):  
 Public Port :**21** Private Port:**21** Port Type: TCP  
 Host IP Address: 10.0.0.20

Customized Application	Port	TCP	UDP
Web server	80	Yes	Yes
FTP server	21	Yes	No
SMTP (outgoing)	25	Yes	Yes
POP3 (incoming)	110	Yes	Yes

### 4.7.3 NAT Configuration

The **NAT Configuration** page allows users to set the configuration for the Network Address Translation.

The screenshot shows the NAT Configuration page in a web browser. The address bar shows 'http://10.0.0.2/'. The page has a blue sidebar with navigation links like 'Quick Setup', 'ADSL Line Status', 'WAN/LAN Status', 'PPP Status', 'System Log', 'Advanced Setup', 'LAN/DHCP', 'Port Forwarding', 'NAT Configuration', 'Bridge Filtering', 'Misc Configuration', 'Route Table', and 'Admin Password'. The main content area is titled 'NAT Configuration' and features a dropdown menu for 'Dynamic NAT' and a radio button for 'NAT'. Below this is a form with three columns: 'Session Name', 'User's IP', and 'Action'. The 'Action' column has a dropdown menu with 'Add' selected. There are 'Submit' and 'Reset' buttons. Below the form is a table with columns '#', 'Session Name', and 'User's IP'. Underneath the table, it says 'Number of NAT Configurations 0'. There is a link for 'Session Name Configuration'. Below that is a section for 'Available Sessions' with a table with columns '#', 'Session Name', and 'Interface'. Underneath, it says 'Number of Sessions 0'. At the bottom, there is a message: 'The router needs to be rebooted for changes to take effect. [Click here to Reboot]'.

#### NAT Configuration

The NAT option only maps single WAN IP address to the local PC IP address. It is peer-to-peer mapping. (1x1) For each PVC, only one local PC IP address can be associated with each WAN PVC. Click the link Session Name Configuration to add the session name for each PVC.

**Q:** Since only one PVC is mapped to one local PC IP address, why can I input more than one IP address for one NAT session?

**A:** Even though you can, only the first IP address of each session takes effect.

#### NAPT Configuration

The NAPT option maps the IP address and UDP/TCP port ID of the WAN PVC to the IP address and UDP/TCP port ID of the local PCs. (1xN). It is the multiple-mapping mechanism. More than one local PC can be associated with one WAN PVC.

**Dynamic NAPT:** The default setting is **Dynamic NAPT**. It provides dynamic Network Address Translation capability between LAN and multiple WAN connections, and the LAN traffic is routed to appropriate WAN connections based on the destination IP addresses and Route Table. This eliminates the need for the static NAT session configuration between multiple LAN clients and multiple WAN connections. When the Dynamic NAPT is chosen, there is no need to configure the NAT Session and NAT Session Name Configuration.

#### 4.7.4 Bridge Filtering

The **Bridge Filtering** page allows users to set the configuration of IP filtering.

Address <http://10.0.0.2/> Go Links Best of the Web

**PROLINK** Bridge Filtering

Enable Bridge Filtering:  Yes  No

ID Source MAC\* Destination MAC\* TYPE\*\*

ID	Source MAC*	Destination MAC*	TYPE**	Action
1	<input type="text"/>	<input type="text"/>	<input type="text"/>	<input checked="" type="radio"/> Block <input type="radio"/> Forward <input type="button" value="Add"/>

\* MAC address should looks like 000002fa6fab  
 \*\* TYPE is Ethernet type should looks like 0800

The router needs to be Saved and rebooted for changes to take effect. [\[Click here to Reboot\]](#)

Number of Bridge Filters 0

**Source MAC:** When the bridge filtering is enabled, enter the Source MAC address, select Block and click Add. Then all incoming WAN and LAN Ethernet packets matched with this source MAC address will be filtered out. If the Forward is selected, then the packets will be forwarded to the destination PC.

**Destination MAC:** When the bridge filtering is enabled, enter the Destination MAC address, select Block and click Add. Then all incoming WAN and LAN Ethernet packets matched with this destination MAC address will be filtered out. If the Forward is selected, then the packets will be forwarded to the destination PC.

**Type:** Enter the hexadecimal number for the Ethernet type field in Ethernet\_II packets.

#### For example,

If you want to block MAC address: 000002fa6fab to access the internet:  
 Source MAC: 000002fa6fab Type: 0800

Remark: to check your PC's MAC address, ipconfig /all under DOS mode.  
 Type 0800: Internet Protocol, for others, pls. check with your administrator.

## 4.7.5 Misc Configuration

The **Miscellaneous Configuration** page allows users to set all the miscellaneous configurations.

The router needs to be rebooted for changes to take effect. [\[Click here to Reboot\]](#)

**HTTP Server Access:** This field allows the user to configure the Web pages can be accessed from.

**All:** When this field is checked, it allows both WAN and LAN access to the Web pages.

**Restricted LAN:** This field allows the Web pages access from LAN side.

**Restricted WAN Specified IP & Subnet Mask:** This field allows the Web access from WAN side with a specify IP and subnet mask.

**HTTP server port:** The HTTP server port can be changed to other secure port number. For example, when it is changed to 1001, the HTTP server address for the LAN side is `http://10.0.0.2:1001`.

**FTP server:** When it is enabled, the FTP connection can be established from both the LAN and WAN sides.

**TFTP server:** When it is enabled, it can upgrade the image code with the TFTP client application run at either the LAN or WAN sides.

**DMZ:** A DMZ (De-Militarized Zone) is added between a protected network and an external network, in order to provide an additional layer of security. When there is a suspected packet coming from WAN, the firewall will forward this packet to the DMZ host.

**DMZ Host IP:** The IP address of the DMZ host at LAN side.

**DHCP Relay:** If it is enabled, the DHCP requests from local PCs will forward to the DHCP server runs on WAN side. To have this function working properly, please disable the NAT to run on router mode only, disable the DHCP server on the LAN port, and make sure the routing table has the correct routing entry.

**DHCP Target IP:** The DHCP server runs on WAN side.

**IGMP Proxy:** Here is the global setting for IGMP Proxy. If it is enabled, then the enabled IGMP Proxy on WAN PVCs will be working. Otherwise, no WAN PVC can have IGMP Proxy working on it.

**PPP reconnect on WAN access:**

If it is enabled, the PPP session will be automatically established when there is a packet wants to go out to the WAN.

**Q: What is the difference between PPP reconnect on WAN access and the Automatic Reconnect?**

**A: Some ISPs terminated the PPP session due to the inactivity.**

For the PPP reconnect on WAN access, the PPP will be automatically reconnected when an URL is entered in the browser (packet interested in going out to the WAN).

For the Automatic Reconnect, it will reconnect the PPP session whenever it is terminated by ISP.

**PPP Half Bridge Mode:**

When the PPP Half Bridge is enabled, only one PC is able to access the Internet, and the DHCP server will duplicate the WAN IP address from the ISP to the local client PC. Only the PC with the WAN IP address can access the Internet.

## 4.7.6 Route Table

The **Route Table** page displays routing table and allows users to manually enter the routing entry. The interface br0 means the Ethernet/USB interface; lo0 means the loopback interface.

The screenshot shows the Prolink web management interface. On the left is a blue sidebar with navigation links: Quick Setup, ADSL Line Status, WAN/LAN Status, PPP Status, System Log, Advanced Setup, LAN/DHCP, Port Forwarding, NAT Configuration, Bridge Filtering, Misc Configuration, **Route Table**, Admin Password, and Firmware Update. The main content area is divided into two sections.

The top section is titled "Route Table" and contains a table with the following data:

Destination	Netmask	Gateway	Interface
0.0.0.0	0.0.0.0	202.166.108.1	ppp1
10.0.0.0	255.0.0.0	10.0.0.2	br0
127.0.0.1	255.0.0.0	127.0.0.1	lo0
202.166.108.1	255.255.255.255	202.166.108.99	ppp1

The bottom section is titled "System Default Gateway Configuration" and contains the following options:

- None
- Auto
- Select Interface: Ip Ethernet 0

Below these options is a "Submit" button.

The next section is titled "Route Configuration" and contains a form with the following fields:

- Destination:
- Netmask:
- Gateway:  Specify IP
- Select Interface: Ip Ethernet 0

Below the form are "Add", "Submit", and "Reset" buttons.

Below the form is a message: "The router needs to be rebooted for changes to take effect. [\[Click here to Reboot\]](#)"

At the bottom of the section is the text: "Manually Configured Routes"

## 4.7.7 Admin Password

The **Admin Password** page allows users to set the password for administrator.

The screenshot shows the Prolink web management interface. On the left is a blue sidebar with navigation links: Quick Setup, ADSL Line Status, WAN/LAN Status, PPP Status, System Log, **Advanced Setup**, LAN/DHCP. The main content area is titled "Admin Password Configuration".

The page contains the following text:

Please enter a password for your Hurricane 9000/P

the password for Admin should be at least 8 characters. Do not use '8' in the password.

Admin Password:

Retype Password:

Below the form are "Submit" and "Reset" buttons.

## 4.7.8 Firmware Update

The **Firmware Update** page allows users to upgrade the image code locally.

Address  Go Links Best of the Web Channel Guide

**PROLINK**

Quick Setup  
ADSL Line Status  
WAN/AN Status  
PPP Status  
System Log  
**Advanced Setup**  
LAN/DHCP  
Port Forwarding  
NAT Configuration  
Bridge Filtering  
Misc. Configuration  
Route Table  
Admin Password  
Firmware Update

**Firmware Update**

---

Current Firmware Version: 9H.304

Select Image Download to start a Firmware Update. After Image Download is selected it will take a few seconds before you can select the file to be downloaded.

Please Click on **"Image Download"** button, the following dialog will appear

Browse the location of file, firmware.dlf, and click the Upload to start the update.

**If you cancel the Download process, click on "Cancel Download" button.**

**Firmware Update**

---

Current Firmware Version: 9H.304

Select File to be downloaded or Select Cancel Download to cancel download process.



## 5. USB Driver Installation (Optional ,for using USB interface )

If there is no LAN card on your computer, you can use USB cable to connect it to your computer.

1. Connect the USB cable from the Hurricane 9000P to the USB port of your computer.
2. Windows (98/ME/2k/XP) will automatically detect “ USB Device” message under Add New Hardware Wizard menu, click “Next”.
3. Select “Search for the best driver for your device.”, click “Next”.
4. Direct to drive where you have inserted the USB driver install disk, click “Next”.



5. Search to “Prolink 9000 USB Network Interface”, click "Next".



6. Search to "Prolink 9000 USB Network adapter", click Next.
7. Click “Finish” and restart your computer.
8. open Internet Brower (e.g. Internet explorer) and type 10.0.0.2 then refer to page 13 to configure the Hurricane 9000P.

## 6. Troubleshooting and FAQs

### 6.1. I can not get any connection. Power LED and LAN LED light up, but the ADSL LED keeps blinking .

- 1) Ensure that the ADSL line is activated.
- 2) Check that the Telephone cable (RJ-11) is connected to LINE Jack on your router.
- 3) Try to turn off the modem, wait for at least ten seconds, then turn on again.

If the problem still persists, please check with your ADSL Service Provider to confirm the line condition.

### 6.2. I get 'Request timed out' response when I ping to the router.

- 1) Check whether you can get the IP from your Modem/ Router. (MS-DOS mode, type ipconfig to check your computer's IP, If it's not 10.0.0.X, try to type ipconfig/ renew)
- 2) Try to turn off the modem, wait for at least ten seconds, then turn on again.
- 3) Restart your PC for the IP Address to take effect and try to ping again.
- 4) Check the LAN LED whether it lights up. If not, check the cable connection.(if using USB, LAN LED has no light)

### 6.3. I am not able to get the web configuration screen for the Router. What can I do?

- 1) You may have to disable the proxy settings on your Internet browser.
- 2) Make sure that your browser is set to connect directly .

A. For Internet Explorer, click Tools, Internet Options, and then the Connection tab. Make sure that Internet Explorer is set to **Never dial a connection**.

B. For Netscape Navigator, click Edit, Preferences, Advanced, and Proxy. Make sure that Netscape Navigator is set to **Direct connection to the Internet**.

#### 6.4. How to set a static IP address on a PC?

The Router, by default, assigns an IP address range of 10.0.0.3 to 10.0.0.14 using the DHCP server on the Router. To set a static IP address, you can only use the ranges 10.0.0.15 to 10.0.0.254 , Each PC or network device that uses TCP/IP must have a unique address to identify itself in a network. If the IP address is not unique to a network, Windows will generate an IP conflict error message. You can assign a static IP address to a PC by performing the following steps:

##### For Windows 95, 98, and Me:

- A.** Click **Start**, choose **Settings**, and open the **Control Panel**. Then, doubleclick **Network**.
- B.** In The following network components are installed box, select the **TCP/IP** line associated with your Ethernet adapter. If you only have one Ethernet adapter installed, you will only see one TCP/IP line with no association to an Ethernet adapter. Highlight it and click the **Properties** button.
- C.** In the TCP/IP properties window, select the **IP address** tab, and select **Specify an IP address**. Enter an **IP address** that is not used by any other computer on the network connected to the Router. You can only use an IP address in the ranges 10.0.0.15 to 10.0.0.254, Subnet Mask:255.0.0.0. Make sure that each IP address is unique for each PC or network device.
- D.** Click the **Gateway** tab, and in the New Gateway prompt, enter **10.0.0.2**, which is the default IP address of the Router. Click the **Add** button to accept the entry.
- E.** Click the **DNS** tab, and make sure the **DNS Enabled** option is selected. Enter the **Host** and let **Domain** names (e.g., John for Host and home for Domain). Enter the **DNS entry** provided by your ISP. If your ISP has not provided the DNS IP address,(e.g. 165.21.83.88) contact your ISP to get that information or go to its website for the information.
- F.** Click the **OK** button in the TCP/IP properties window, and click **Close** or the **OK** button for the Network window.
- G.** Restart the computer.

##### For Windows 2000/XP:

- A.** Click **Start**, choose **Settings**, and open the **Control Panel**. Double-click **Network and Dial-Up Connections**.

- B.** Right-click the **Local Area Connection** that is associated with the Ethernet adapter you are using, and select the **Properties** option.
- C.** In the Components checked are used by this connection box, highlight **Internet Protocol (TCP/IP)**, and click the **Properties** button. Select **Use the following IP address** option.
- D.** Enter an **IP address** that is not used by any other computer on the network connected to the Router. You can only use an IP address in the ranges 10.0.0.15 to 10.0.0.254.
- E.** Enter the Subnet Mask, **255.0.0.0**.
- F.** Enter the Default Gateway, **10.0.0.2** (The Router's default IP address.)
- G.** Toward the bottom of the window, select **Use the following DNS server addresses**, and enter the **Preferred DNS server IP Address** and **Alternative DNS server IP Address**. Contact your ISP to find this information. (e.g. 165.21.83.88)
- H.** Click the **OK** button in the Internet Protocol (TCP/IP) Properties window, and click the **OK** button in the Local Area Connection Properties window.

#### **For Windows NT 4.0:**

- A.** Click **Start**, choose **Settings**, and open the **Control Panel**. Double-click the **Network** icon.
- B.** Click the **Protocol** tab, and double-click **TCP/IP Protocol**.
- C.** When the window appears, make sure you have selected the correct **Adapter** for your Ethernet adapter.
- D.** Select **Specify an IP address**, and enter an **IP address** that is not used by any other computer on the network connected to the Router. You can only use an IP address in the ranges 10.0.0.15 to 10.0.0.254.
- E.** Enter the Subnet Mask, **255.0.0.0**.
- F.** Enter the Default Gateway, **10.0.0.2** (Router's default IP address).
- G.** Click the **DNS** tab, and enter the **Host** and **Domain** names (e.g., John for Host and home for Domain). Under DNS Service Search Order, click the **Add** button. Enter the **DNS IP address** in the DNS Server field,(e.g. 165.21.83.88) and click the **Add** button. Repeat this action for all DNS IP addresses given by yourISP.
- H.** Click the **OK** button in the TCP/IP Protocol Properties window, and click the **Close** button in the Network window.
- I.** Restart the computer.

### **6.5. How to set up online game hosting or use other Internet applications?**

If you want to play online games or use Internet applications, most will work without doing any port forwarding or DMZ hosting. There may be cases when you want to host an online game or Internet application. This would require that you set up the Router to deliver incoming packets or data to a specific computer. This also applies to the Internet applications you are using. The best way to get the information on what port services to use is to go to the website of the online game or application you want to use. (refer to page18 **Port Forwarding**)

If you are having difficulties getting any Internet game, server, or application to function properly, consider exposing one PC to the Internet using DeMilitarized Zone (DMZ) hosting. (refer to page21 **DMZ** setting)

### **6.6. How to reset the Router to the factory default settings?**

Hold the Reset button for up to 5 seconds and then release it. This will return the password, forwarding, and other settings on the Router to the factory default settings. In other words, the Router will revert to its original factory configuration.

### **6.7: If the PPP is disconnected after the Disconnect Timeout and how can I reconnect it?**

**A:** You have to go to the PPP Status under Admin Privileged column, choose the correct PVC and Connect option, and then click Execute to restart a new PPP session.

**B. OR** you can enable **PPP reconnect on WAN access** under Misc Configuration, the PPP will be automatically reconnected when an URL is entered in the browser (packet interested in going out to the WAN).

---

## PROLiNK TECHNICAL SUPPORT

At PROLiNK, we are committed to give you the best products as well as the best technical support for installation of ADSL Bridge/Router. If there is virus in your system, we may provide suggestions like where you can find the solution to clean the virus, but we are unable to assist you until the virus is cleaned.

### Service Centre

#### Singapore

Tel: (65)62965455

Fax: (65)63925455

URL: [www.fida.com](http://www.fida.com)

Email: [support@fida.com](mailto:support@fida.com)

Address: Blk 105 Boon Keng Rd #06-13, Singapore 339776

**Operating Hours: Mon-Fri :0900-1745 hrs Sat : 0900-1300 hrs**

#### Malaysia

Tel: (603) 8024 9151

Fax: (603) 8024 9161

Email: [support\\_my@fida.com](mailto:support_my@fida.com)

Address: 4-1, Gnd-Floor, Jalan USJ 9/5T, Subang Business Centre, 47620  
Subang Business Centre, Subang Jaya, Selangor Darul Ehsan, Malaysia.

**Operating Hours: Mon-Fri: 0900-1730 hrs Sat: 0900-1300 hrs**